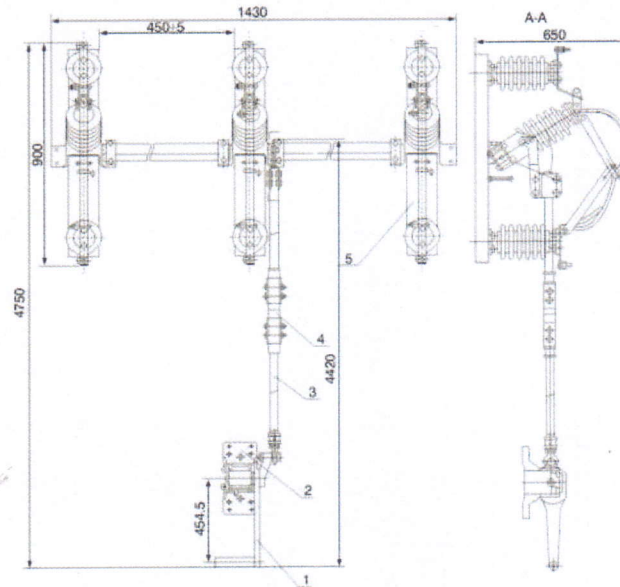
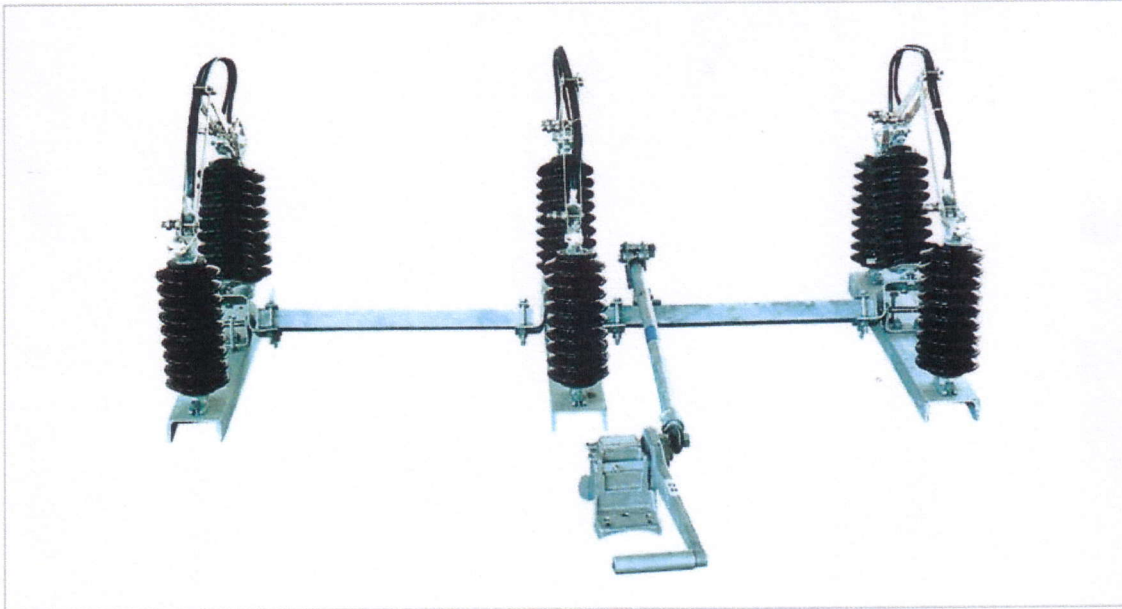


RH-B 11-33KV Rocking Isolator



Technical Particulars

Type	Rated voltage (KV)	Rated current (A)	4S Heat steady (e.c.A)	Shock current (A)	Impulse withstand voltage (KV)	Power-frequency withstand voltage (KV)
RH-B	11	400	12500	31500	95	42
RH-B	33	600	12500	31500	195	80