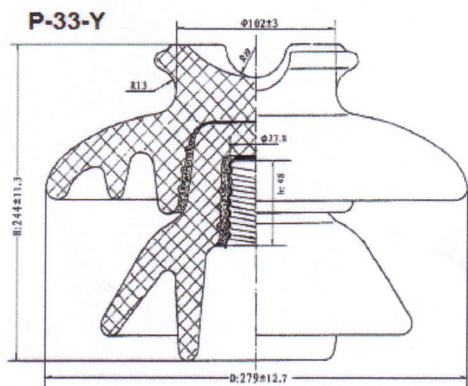


Technical Data

Creepage Distance		275mm
Mechanical Strength Load		10KN
Low Frequency Withstand Voltage	Dry	65KV
	Wet	45KV
Low Frequency Flashover Voltage	Dry	75KV
	Wet	50KV
Critical Impulse Flashover Voltage	Pos	115KV
	Neg	150KV
Power Frequency Puncture Voltage		105KV

According to BS & IEC 383-1 with Zinc Thimble (BS3288)

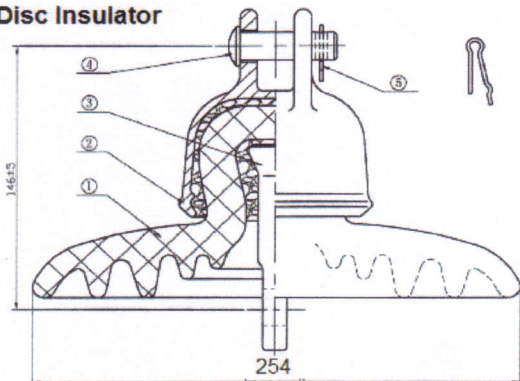


Technical Data

Creepage Distance		630mm
Protected Creepage Distance		242mm
Mechanical Strength Load		13.8KN
Power Frequency Withstand Voltage	Dry	170KV
	Wet	90KV
Critical Impulse Flashover Voltage	Pos	200KV
	Neg	265KV
Power Frequency Puncture Voltage		210KV
Radio Influence Voltage	Test Voltage to Ground	30KV
	Max RIV at 1000kHz 50uV	200uV

According to BS & IEC 383-1 with Zinc Thimble (BS3288)

Disc Insulator

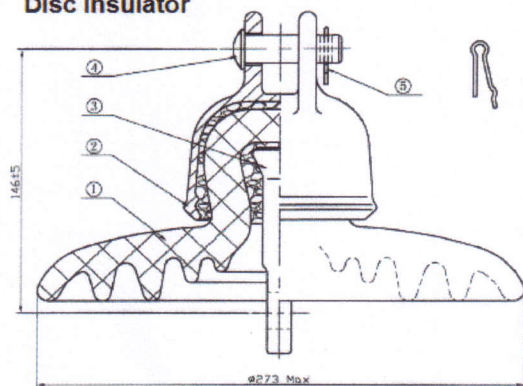


Technical Data

Creepage Distance		292mm
Rated E&M Failing Load Radio		70KN
Impact Strength		7.0 N.M
Low Frequency Flashover Voltage	Dry	80KV
	Wet	50KV
Critical Impulse Flashover Voltage	Pos	125KV
	Neg	130KV
Power Frequency Puncture Voltage		110KV
Radio Influence Voltage	Test Voltage to Ground	10KV
	Max RIV at 1000kHz 50uV	50uV

According to ANSI C29.2

Disc Insulator



Technical Data

Creepage Distance		279mm
Rated E&M Failing Load Radio		111KN
Impact Strength		7.0 N.M
Low Frequency Flashover Voltage	Dry	80KV
	Wet	50KV
Critical Impulse Flashover Voltage	Pos	125KV
	Neg	130KV
Power Frequency Puncture Voltage		110KV
Radio Influence Voltage	Test Voltage to Ground	10KV
	Max RIV at 1000kHz 50uV	50uV

According to ANSI C29.2