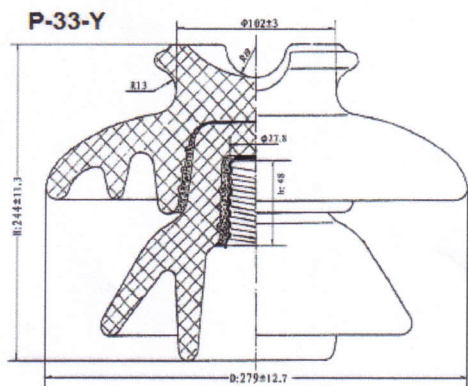


Technical Data

| | | |
|------------------------------------|-----|-------|
| Creepage Distance | | 275mm |
| Mechanical Strength Load | | 10KN |
| Low Frequency Withstand Voltage | Dry | 65KV |
| | Wet | 45KV |
| Low Frequency Flashover Voltage | Dry | 75KV |
| | Wet | 50KV |
| Critical Impulse Flashover Voltage | Pos | 115KV |
| | Neg | 150KV |
| Power Frequency Puncture Voltage | | 105KV |

According to BS & IEC 383-1 with Zinc Thimble (BS3288)

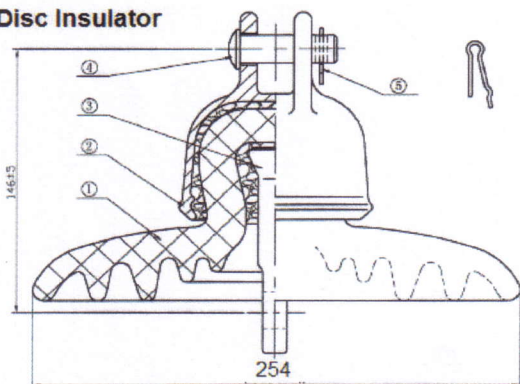


Technical Data

| | | |
|------------------------------------|-------------------------|--------|
| Creepage Distance | | 630mm |
| Protected Creepage Distance | | 242mm |
| Mechanical Strength Load | | 13.8KN |
| Power Frequency Withstand Voltage | Dry | 170KV |
| | Wet | 90KV |
| Critical Impulse Flashover Voltage | Pos | 200KV |
| | Neg | 265KV |
| Power Frequency Puncture Voltage | | 210KV |
| Radio Influence Voltage | Test Voltage to Ground | 30KV |
| | Max RIV at 1000kHz 50uV | 200uV |

According to BS & IEC 383-1 with Zinc Thimble (BS3288)

Disc Insulator

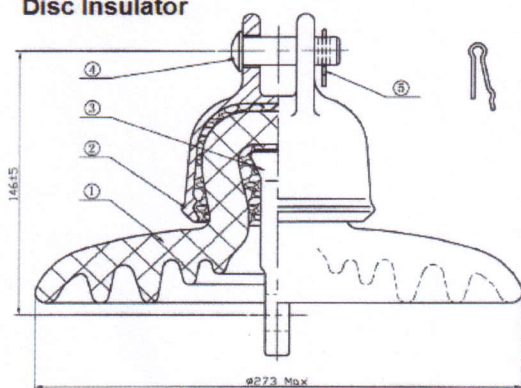


Technical Data

| | | |
|------------------------------------|-------------------------|---------|
| Creepage Distance | | 292mm |
| Rated E&M Failing Load Radio | | 70KN |
| Impact Strength | | 7.0 N.M |
| Low Frequency Flashover Voltage | Dry | 80KV |
| | Wet | 50KV |
| Critical Impulse Flashover Voltage | Pos | 125KV |
| | Neg | 130KV |
| Power Frequency Puncture Voltage | | 110KV |
| Radio Influence Voltage | Test Voltage to Ground | 10KV |
| | Max RIV at 1000kHz 50uV | 50uV |

According to ANSI C29.2

Disc Insulator



Technical Data

| | | |
|------------------------------------|-------------------------|---------|
| Creepage Distance | | 279mm |
| Rated E&M Failing Load Radio | | 111KN |
| Impact Strength | | 7.0 N.M |
| Low Frequency Flashover Voltage | Dry | 80KV |
| | Wet | 50KV |
| Critical Impulse Flashover Voltage | Pos | 125KV |
| | Neg | 130KV |
| Power Frequency Puncture Voltage | | 110KV |
| Radio Influence Voltage | Test Voltage to Ground | 10KV |
| | Max RIV at 1000kHz 50uV | 50uV |

According to ANSI C29.2