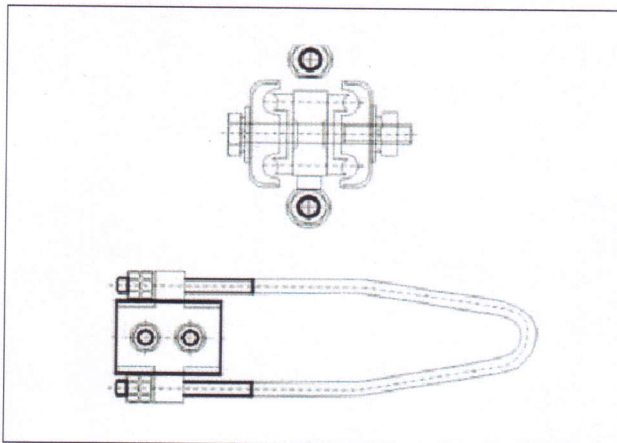


Four Core Collecting Strain Clamp

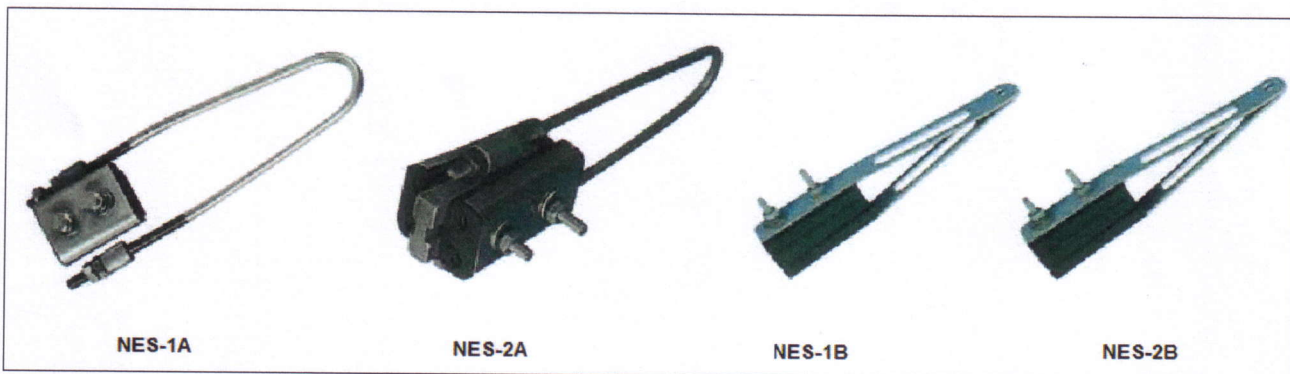
Application

For use in the ending of an Aerial Installation utilizing insulated conductors for lines up to 1KV

Dimension Drawings



PART NUMBER	CONDUCTOR SECTION mm ²
NES-1A	6 - 10
NES-2A	16 - 25
NES-3A	35 - 50
NES-4A	70 - 95
NES-5A	120
NES-1B	16 - 50
NES-2B	70 - 120



INSTALLATION

