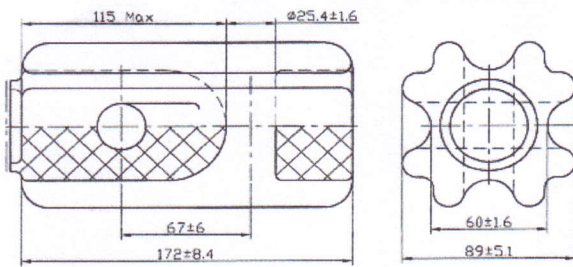
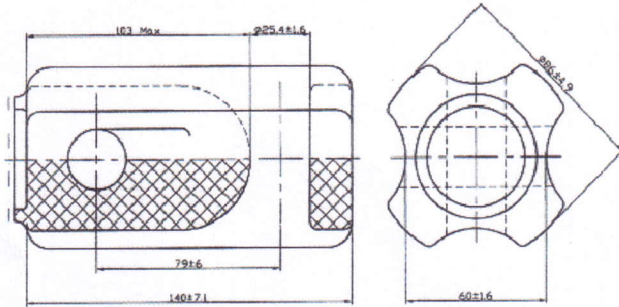


STAY INSULATOR



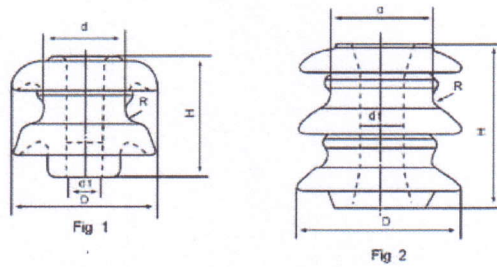
| | | |
|-------------------------------|-----------------------|------|
| Type | PSI-172 | |
| Creepage Distance | 76mm | |
| Mechanical Failing Load | 96KN | |
| Low Voltage Flashover Voltage | Dry | 40KV |
| | Wet | 23KV |
| Standards | ANSI C29.4 IEC-383 | |

STAY INSULATOR



| | | |
|-------------------------------|-----------------------|------|
| Type | PSI-140 | |
| Creepage Distance | 60mm | |
| Mechanical Failing Load | 89KN | |
| Low Voltage Flashover Voltage | Dry | 35KV |
| | Wet | 18KV |
| Standards | ANSI C29.4 IEC-383 | |

SPOOL INSULATORS



Main Dimesions and Standards Particulars

| Type | | | | | | |
|---------------------------|-----|------|------|------|------|------|
| Figure | | 2 | 1 | 1 | 1 | 1 |
| Main Dimensions | H | 80 | 76 | 76 | 90 | 65 |
| | D | 80 | 89 | 89 | 100 | 70 |
| | d | 50 | 48 | 48 | 50 | 36 |
| | d1 | 22 | 21 | 17.5 | 22 | 16 |
| | R | 6 | 10 | 10 | 12 | 8 |
| Mechanical Failing Load | | 13 | 12 | 12 | 12 | 8 |
| Minimum Flashover Voltage | Dry | 25 | 25 | 25 | 22 | 16 |
| | Wet | 15 | 12 | 12 | 10 | 7 |
| Weight | | 0.50 | 0.50 | 0.50 | 0.80 | 0.50 |